

# NOVAIR

## SUBMERGED AERATOR



### TECHNICAL DATA

**Operating range:** air capacity 2 to 17 m<sup>3</sup>/h for depths from 20 to 90 cm from the axis of the suction port.

**Protection class:** IP68.

**Insulation class:** F.

**Pumped liquid operating range:** from 0 °C to 35 °C according to EN 60335-2-41 for domestic use.

**Minimum immersion depth:** 20 cm.

**Maximum immersion depth:** 80 cm (Novair 200) 90 cm (Novair 600).

**Immersion liquid:** Cesspool sewage water without solid matter and fibre, clean water.

**Standard voltage:** single-phase: 220 – 240 V/ 50 Hz.

**Power cable:** H07RNF8-F, 2 m, 5 m and 10 m, with the possibility of SCHUKO plug.

**Installation:** Vertical.

### APPLICATIONS

The submersed aerator has been designed for the aeration of sewage in small purification systems. Further uses can be the oxygenation of garden ponds, and fresh water fish farms.

### CONSTRUCTION FEATURES

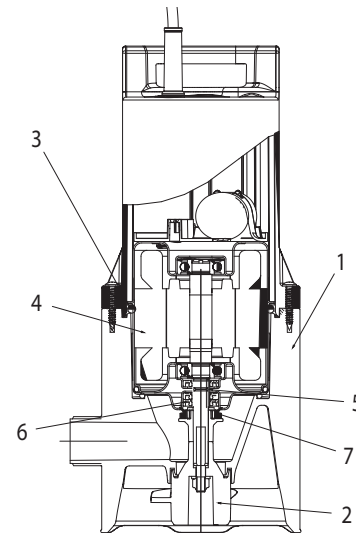
Technopolymer pump body, wiring cover, and impellers. Two-pole asynchronous submersible 0,18 and 0,4 kW motor with built-in thermal protection and permanent capacitor in the wiring compartment.

Steel motor shaft with ceramic treated bushing, on oversized and permanently lubricated ball bearings. Threefold seal with interposed rings with oil pre-chamber.

### MATERIALS

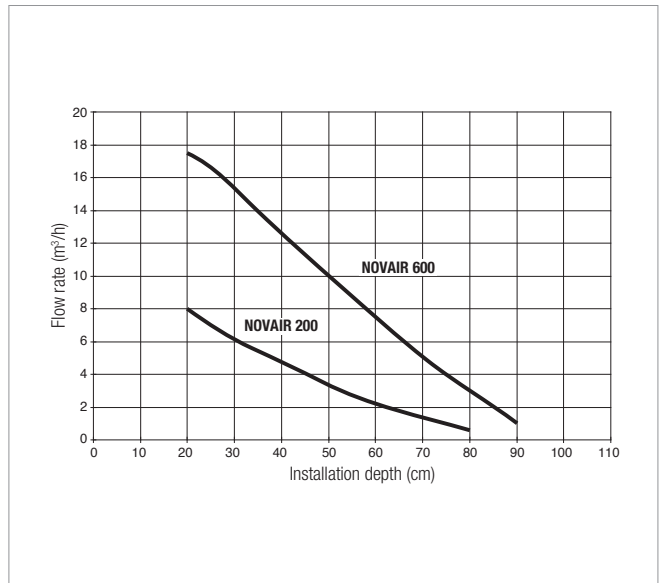
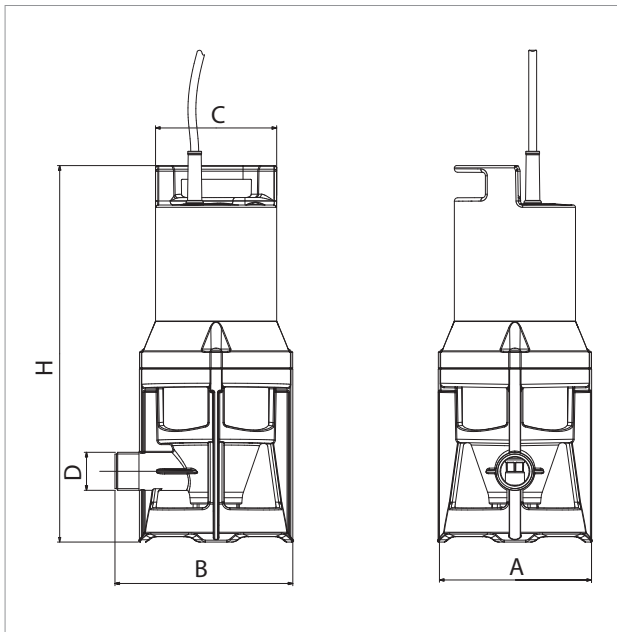
N.	PARTS*	MATERIALS
1	PUMP BODY	TECHNOPOLYMER
2	IMPELLER	TECHNOPOLYMER
3	OR RING	NBR 70
4	MOTOR	
	MOTOR CASING	AISI 304
	SHAFT	AISI 416
5	CERAMIC TREATED BUSHING	AISI 303 + CERAMIC
6	RADIAL SEAL	NBR 70
7	V-RING	NBR 70 + GREASE

\* In contact with the liquid



# NOVAIR - SUBMERGED AERATOR FOR SMALL PURIFICATION SYSTEMS

Liquid temperature range: from 0 °C to 35 °C according to EN 60335-2-41 for domestic use.



The performance curves are based on kinematic viscosity values = 1 mm²/s and density equal to 1000 kg/m³. Curve tolerance according to ISO 9906.

MODEL	ELECTRICAL DATA					MAXIMUM AIR RATE m³/h
	POWER INPUT 50 Hz	P1 MAX kW	P2 NOMINAL		In A	
			kW	HP		
NOVAIR 200 M-NA	1X220- 240 V~	0.28	0.18	0.24	1.4	8
NOVAIR 600 M-NA	1X220- 240 V~	0.63	0.40	0.54	3	17.5

MODEL	H	A	B	Ø C	D G NPT	PACKING DIMENSIONS			CABLE	VOLUME (m³)	WEIGHT kg
						L/A	L/B	H			
NOVAIR 200	329.5	130.5	158	106	1"	190	255	308	2 m / HO7RN8-F	0.015	3.5
									5 mt / HO7RN8-F		
									10 mt / HO7RN8-F		
NOVAIR 600	380.2	130.5	158	106	1" ¼	190	255	419	2 m / HO7RN8-F	0.015	5.4
									5 mt / HO7RN8-F		
									10 mt / HO7RN8-F		