

DELS 70/1000

AUTOMATIC EXTERNAL LIFTING STATION



DELS 70/1000

AUTOMATIC EXTERNAL LIFTING STATIONS



TECHNICAL DATA

Operating range:

from 1 to 31,5 m³/h with head up to 10,5 metres.

Liquid temperature range: + 40° C (+ 60° C for short time)

Pumped liquid: waste water and domestic drains.

Installation: inside the building, secured to the floor.

Maximum capacity: 70 litres

APPLICATIONS

External lifting station to manage waste water, when the sewer network cannot be reached, because of gravity issue.

It's a compact and all integrated sewage disposal unit, ideal for domestic and residential applications - such as basements or garages - where untreated waste water has to be handled. It's also designed for light commercial applications (small offices), or underground rooms and narrow spaces, in general.

KEY FEATURES

Low noise water cooled motor; easy dismantling of the top cover for fast maintenance; pre-assembled non return valve, and easy drain screw for eventual draining; double venting design, conceived to avoid air stacking on the hydraulics.

Integrated electronic start and stop switch; integrated overflow switch to prevent flooding.

External display to control the unit, chose working mode, adjust start and stop unit, and manage alarms.

Accessories, and pressure switch are already assembled for a fast, simple, and clean installation.

HYDRAULIC CONNECTIONS

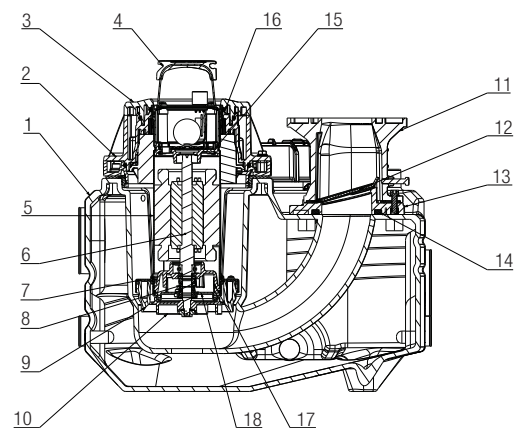
1 DN80 outlet; 3 DN50 inlet; 4 DN100 inlet; 1 DN50 venting hole

INCLUDED COMPONENTS

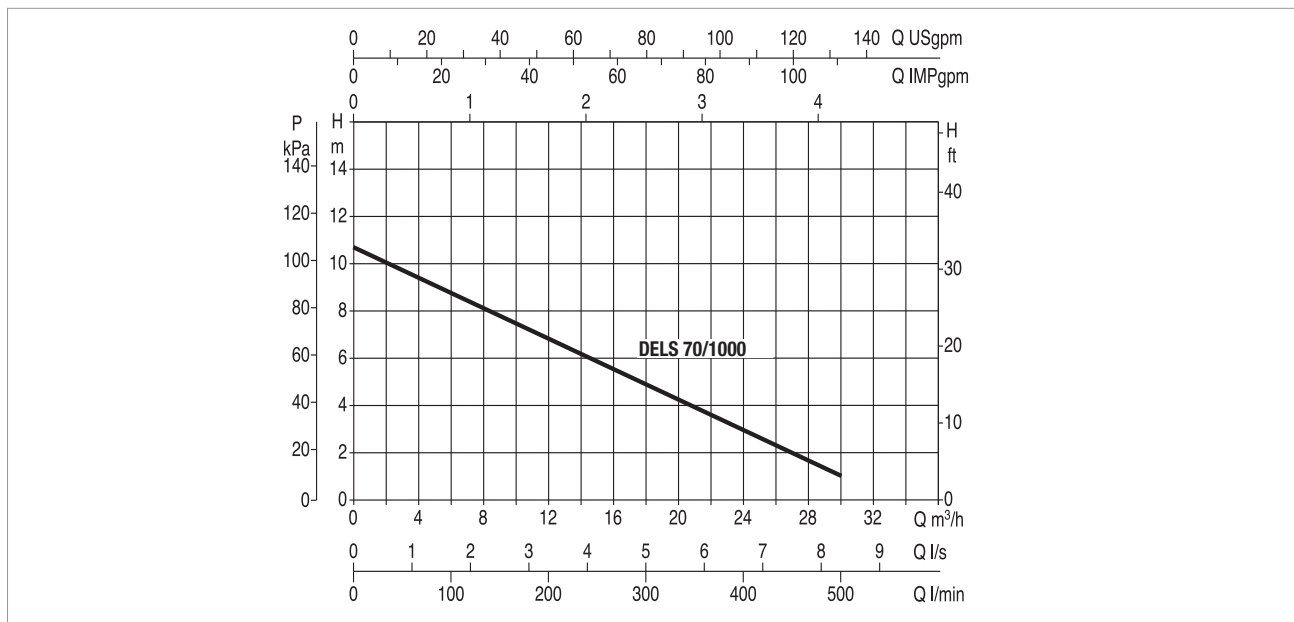
- Power cord
- Air tube
- Sensor cord
- Equipped with FEKA VS 1000 for high reliability

MATERIALS

N°	PARTS	MATERIALS
1	TANK	PE / OT58
2	MIDDLE COVER	PP 30% GF
3	TOP COVER	PP 30% GF
4	HANDLE	STAINLESS STEEL AND INSULATING RUBBER
5	MOTOR CASE	STAINLESS STEEL
6	MOTOR SHAFT	STAINLESS STEEL
7	MOTOR CONNECTION FLANGE	STAINLESS STEEL
8	DOUBLE MECHANICAL SEAL	PUMPS SIDE SIC/SIC
9		MOTOR SIDE CARBON / ALUMINA
10	IMPELLER	STAINLESS STEEL
11	NRV BODY	PP 30% GF
12	NRV VALVE SPOOL	STAINLESS STEEL / EPDM
13	NRV BASE	PP 20% GF
14	NRV SEALING	EPDM
15	UPPER BEARING SUPPORT	ALUMINUM
16	O-RINGS	NBR
17	LOWER BEARING SUPPORT	ALUMINUM
18	SHAFT SEAL DISC	STAINLESS STEEL



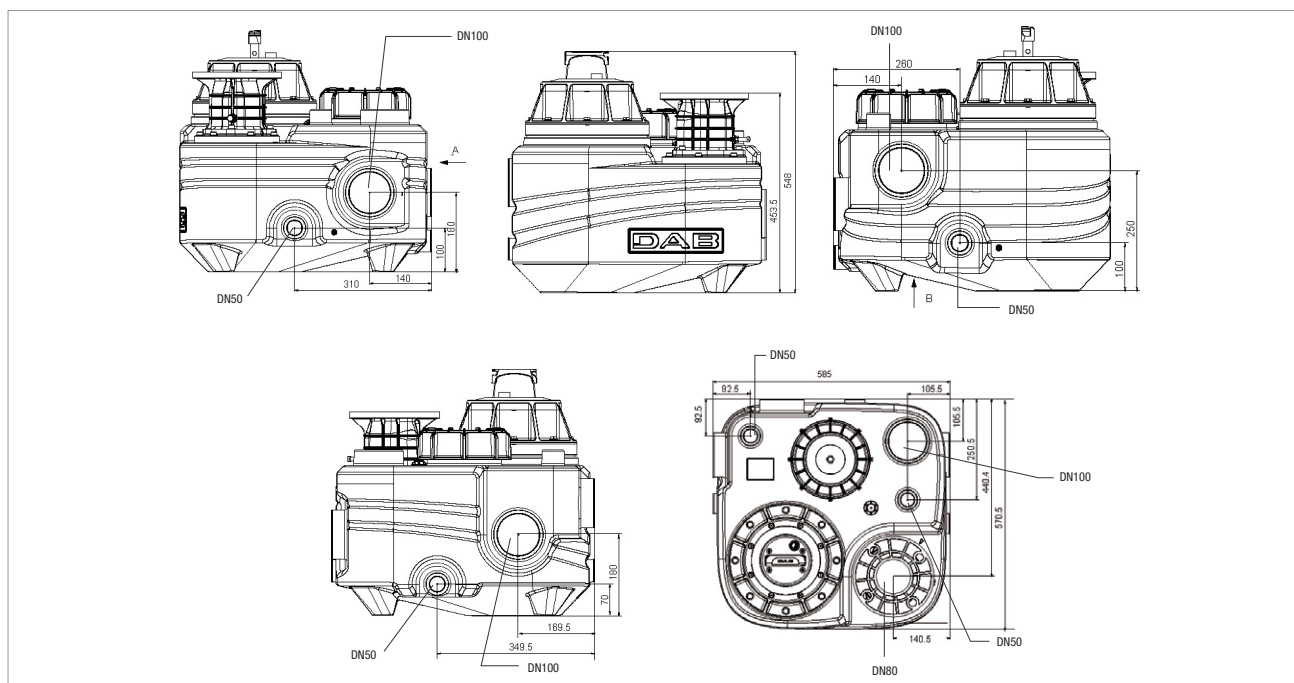
DELS 70/1000 - AUTOMATIC EXTERNAL LIFTING STATIONS



The performance curves are based on kinematic viscosity values = 1 mm²/s and density equal to 1000 kg/m³.
Curve tolerance according to ISO 9906.

CONFIGURATIONS

PUMP MODEL	ELECTRICAL DATA				
	POWER INPUT 50 HZ	P1 MAX kW	P2 NOMINAL		In A
			kW	HP	
DELS 70/1000	1X220-240 V~	1,75	1	1.36	8



SIZES AND WEIGHTS

DIMENSIONS			WEIGHT Kg
L/A	L/B	H	
585	570.5	548	48

DAB
PUMPS SELECTOR

On-line product selection



DAB PUMPS LTD.
Unit 6 Gilberd Court
Newcomen Way, Severalls Park
CO4 9WN
Colchester
ordersuk@dwtgroup.com
Tel. +44 0333 777 5010



DAB PUMPS IBERICA S.L.
Calle Verano 18-20-22
28850 - Torrejón de Ardoz - Madrid
Spain
Info.spain@dwtgroup.com
Tel. +34 91 6569545



DAB PUMPS DE MÉXICO, S.A. DE C.V.
Av Amsterdam 101 Local 4
Col. Hipódromo Condesa,
Del. Cuauhtémoc CP 06170
Ciudad de México
Tel. +52 55 553 2621



DAB PUMPS BV
'tHofveld 6 C1
1702 Groot Bijgaarden - Belgium
info.belgium@dwtgroup.com
Tel. +32 2 4668353



DAB PUMPS HUNGARY KFT.
H-8800
Nagykanizsa, Buda Ernő u.5
Hungary
Tel. +36 93501700



DAB PUMPS SOUTH AFRICA (PTY) LTD
Twenty One industrial Estate,
16 Purlin Street, Unit B, Warehouse 4
Olifantsfontein -1667 - South Africa
info.sa@dwtgroup.com
Tel. +27 12 361 3997



DAB PUMPS B.V.
Statenlaan, 4
5223 LA, 's-Hertogenbosch
Nederland
info.nl@dabpumps.com
Tel. +31 416 387280



DAB PUMPS POLAND Sp. z o.o.
Ul. Cieslewskich 35K
03-017 Warszawa - Poland
sprzedaz@dabpumps.com.pl



DAB PUMPS (QINGDAO) CO. LTD.
No.10 Xindong Road
Jiulong Town,
Jiaozhou City
266319 Qingdao (Shandong) - China
sales.cn@dwtgroup.com
Tel. +86 400 186 8280



DAB PUMPS FRANCE SAS
Tour Ariane, Paris la Défense 9
5, Place de la Pyramide
92800 Puteaux - France
info.fr@dabpumps.com
Tel. +33 (0)6 79 63 05 46
+33 (0)7 89 01 53 35



DAB PUMPS INC.
3226 Benchmark Drive
Ladson, SC 29456 - USA
info.usa@dwtgroup.com
Tel. 1- 843-797-5002
Fax 1-843-797-3366



DAB PUMPS OCEANIA PTY LTD
426 South Gippsland Highway,
Dandenong South VIC 3175 - Australia
info.oceania@dwtgroup.com
Tel. +61 1300 378 677



DAB PUMPS GMBH
Am Nordpark 3
D - 41069 Mönchengladbach - Germany
info.germany@dwtgroup.com
Tel. +49 2161 47388-0
Fax +49 2161 47388-36



DAB PUMPS CANADA INC.
333 Bay Street, Suite 4600, Toronto,
Ontario, M5H 2S5, - Canada
orders@dwtgroup.ca
Tel. 1-833-322-7867



PT DAB PUMPS INDONESIA
Satrio Tower lantai 26
unit C-D, Jl. Prof. Dr. Satrio Kav. C4,
Kel. Kuningan Timur, Kec. Setiabudi, Kota Adm.
Jakarta Selatan, Prov. DKI Jakarta. - Indonesia
Tel. +62 2129222850