

ESWIM

ELECTRONIC SWIMMING POOL PUMP



DISCOVER OUR
SVRS MODEL WITH
ANTI-ENTRAPMENT
SYSTEM



Certified to
NSF/ANSI Standard 50

TECHNICAL DATA

Minimum and maximum flow rate:

150 version: 32 m³/h
300 version: 42,6 m³/h

Maximum head:

150 version: 16 m
300 version: 26 m

Type of liquid pumped: clean or slightly dirty water with suspended solids, long fibres, particularly aggressive water with a high percentage of chlorine/bromine and PHMB (polyhexamethylene biguanide), or electro-chlorinated water.

pH range: 6,5 - 8,4

Max. liquid temperature: +40°C

Maximum ambient temperature: +50°C

Maximum working pressure bar / kPa:

150 version: 2,5 bar
300 version: 2,8 bar

Motor protection rating:

150 version: IP55
300 version: IP56

Motor thermal insulation class: F

Impeller material of construction: technopolymer

Single-phase power supply: 230 V 50 Hz or 60 Hz

Power cable (m) and plug: not supplied

Possible mounting positions: fixed or portable in horizontal position

Certifications: Energy Star, SVRS (SVRS version only), NSF

ESwim and ESwim SVRS are inverter-driven electronic pumps for filtering water in swimming pools or fish farms, including saltwater applications, designed for use in domestic and residential settings. Super quiet, programmable and featuring a generous prefilter designed for easy inspection. ESwim and ESwim 150 SVRS feature a 12-pin motherboard, making them compatible with any control panel, whether analogue or digital.

PUMP DESIGN FEATURES

Prefilter lid made from clear polycarbonate and an oxidation-resistant material for quick and easy inspection, even just visually without opening the lid. Comes with rubber feet to reduce vibrations. Bayonet-style lid closure.

MOTOR DESIGN FEATURES

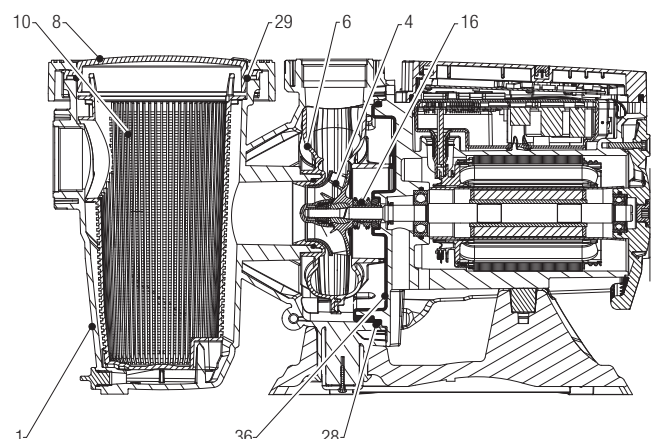
Synchronous permanent magnet brushless motor with embedded magnet rotor design, cooled by the liquid being pumped, with no cooling fan, and a noise level of just 52 dB for ESWIM 150 and 47 dB for ESWIM 300. The aluminium motor housing has an elastomer coating.

ELECTRONICS FEATURES

Remote control option provided using 0-10 V, 4-20 mA and PWM signals. The inverter means pumps can run at a constant speed or constant flow (without using sensors) to optimize performance and minimize energy usage. The control panel has 4 buttons with 8 programmable speeds, and status and alarm indicator LEDs. There is a weekly and seasonal programming menu. The SVRS versions has a software feature that disables pump suction if a blockage is detected. "SVRS" stands for Safety Vacuum Release System.

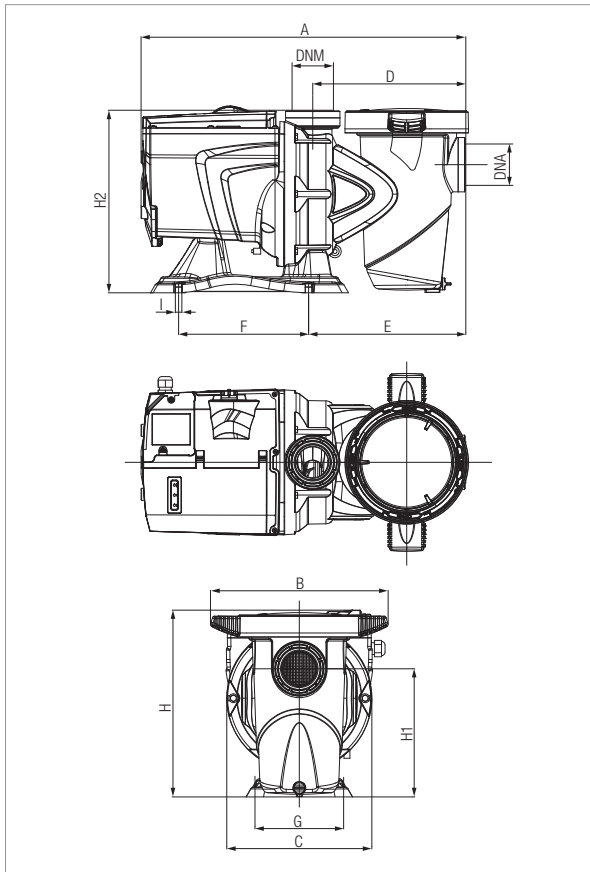
MATERIALS

| No. | PARTS | MATERIALS |
|-----|------------------|-----------------------------|
| 1 | PUMP CASING | REINFORCED TECHNOPOLYMER |
| 4 | IMPELLER | REINFORCED TECHNOPOLYMER |
| 6 | DIFFUSER | REINFORCED TECHNOPOLYMER |
| 8 | FILTER LID | POLYCARBONATE |
| 10 | FILTER | TECHNOPOLYMER |
| 16 | MECHANICAL SEAL | CARBON/ALUMINA/NBR/AISI 316 |
| 28 | O-RING | NBR |
| 29 | O-RING | NBR |
| 36 | SEAL HOLDER DISC | EPDM |

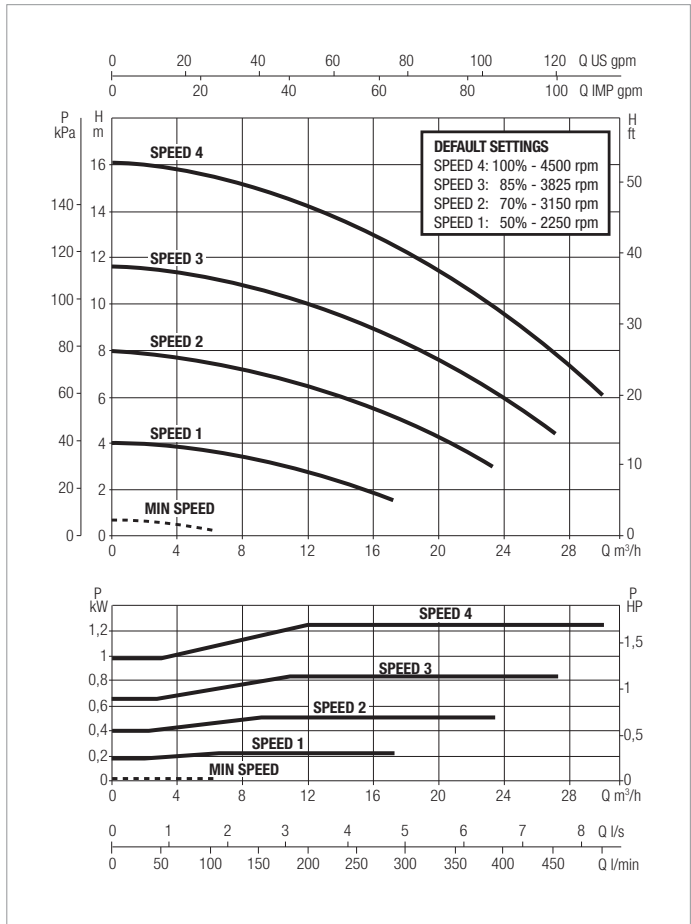


ESWIM 150 - SWIMMING POOL PUMPS

Pumped liquid temperature range: up to 40 °C - Maximum ambient temperature: +50 °C



The performance curves are based on kinematic viscosity values = 1 mm²/s and a density of 1000 kg/m³. Curve tolerance to ISO 9906.



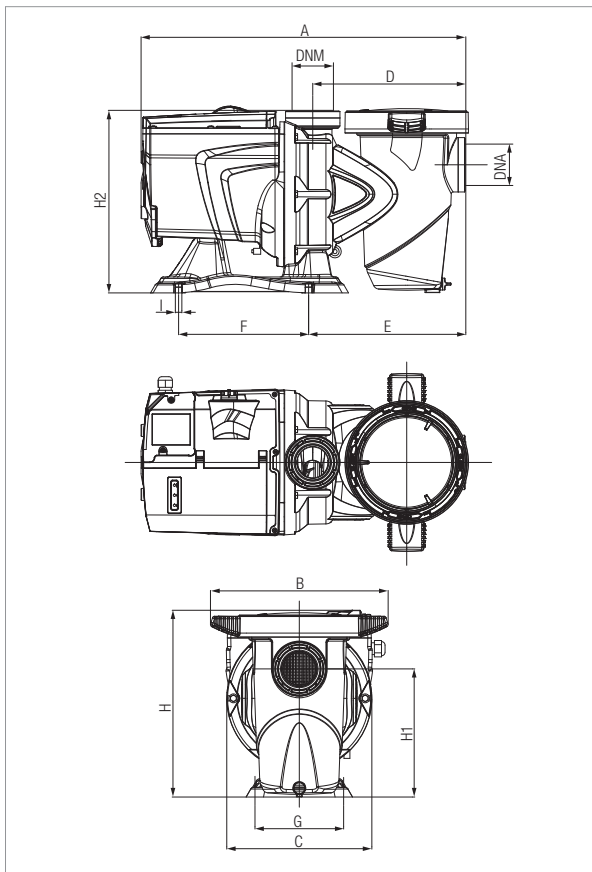
| MODEL | Q= m ³ /h | 0 | 6 | 9 | 12 | 15 | 18 | 21 | 24 | 27 | 30 |
|----------------|----------------------|------|------|------|------|------|------|------|-----|-----|-----|
| | Q=l/min | 0 | 100 | 150 | 200 | 250 | 300 | 350 | 400 | 450 | 500 |
| ESWIM 150 | H (m) | 15,9 | 15,7 | 15,2 | 14,4 | 13,4 | 12,2 | 10,9 | 9,4 | 7,9 | 6,3 |
| ESWIM 150 SVRS | H (m) | 15,9 | 15,7 | 15,2 | 14,4 | 13,4 | 12,2 | 10,9 | 9,4 | 7,9 | 6,3 |

| MODEL | POWER SUPPLY 50 Hz | P1 MAX. kW | P2 RATED | | I _n A | NOISE LEVEL AVERAGE DUTY POINT DB (A) |
|----------------|-----------------------|---------------|----------|-----|---------------------|---|
| | | | kW | HP | | |
| ESWIM 150 | 230 V | 1,25 | 1,1 | 1,5 | 5,6 | 50 dB(A) |
| ESWIM 150 SVRS | 230 V | 1,25 | 1,1 | 1,5 | 5,6 | 50 dB(A) |

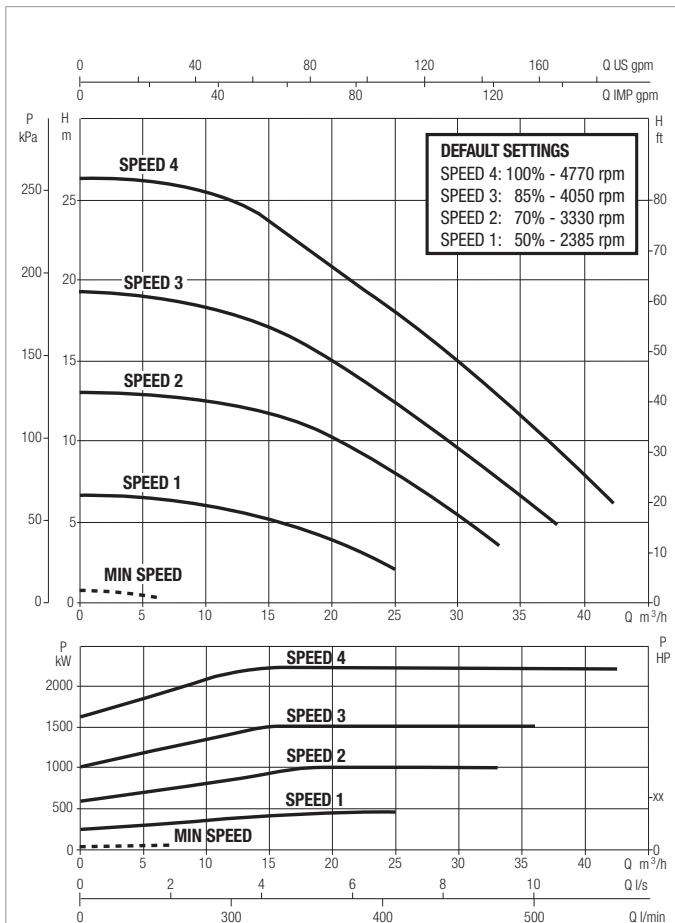
| MODEL | A | B | C | D | E | F | G | H | H1 | H2 | I | DN (S) | DN (D) | PACKAGING DIMENSIONS | | | GROSS WEIGHT kg | QTY / PALLET |
|----------------|-----|-----|-----|-----|-----|-----|-----|-----|-----|-----|----|--------|--------|----------------------|-----|-----|--------------------|-----------------|
| | | | | | | | | | | | | | | L/A | L/B | H | | |
| ESWIM 150 | 550 | 300 | 245 | 259 | 266 | 220 | 150 | 316 | 217 | 309 | 11 | 2" | 2" | 720 | 350 | 430 | 19 | 8 |
| ESWIM 150 SVRS | 550 | 300 | 245 | 259 | 266 | 220 | 150 | 316 | 217 | 309 | 11 | 2" | 2" | 720 | 350 | 430 | 19 | 8 |

ESWIM 300 - SWIMMING POOL PUMPS

Pumped liquid temperature range: up to 40 °C - Maximum ambient temperature: +50 °C



The performance curves are based on kinematic viscosity values = 1 mm²/s and a density of 1000 kg/m³. Curve tolerance to ISO 9906.



| MODEL | Q= m ³ /h | 0 | 5 | 10 | 15 | 20 | 25 | 30 | 35 | 40 | 42,6 |
|----------------|----------------------|----|------|------|------|------|------|------|------|-----|------|
| | Q=l/min | 0 | 83 | 166 | 250 | 333 | 416 | 500 | 583 | 666 | 710 |
| ESWIM 300 | H (m) | 26 | 25,4 | 24,8 | 23,2 | 20,6 | 17,4 | 14,4 | 11,5 | 7,8 | 6 |
| ESWIM 300 SVRS | H (m) | 26 | 25,4 | 24,8 | 23,2 | 20,6 | 17,4 | 14,4 | 11,5 | 7,8 | 6 |

| MODEL | POWER SUPPLY 50 Hz | P1 MAX. kW | P2 RATED | | I _n A | NOISE LEVEL AVERAGE DUTY POINT DB (A) |
|----------------|-----------------------|---------------|----------|-----|---------------------|---|
| | | | kW | HP | | |
| ESWIM 300 | 230 V | 2,25 | 1,9 | 2,6 | 10 | 44 dB(A) |
| ESWIM 300 SVRS | 230 V | 2,25 | 1,9 | 2,6 | 10 | 44 dB(A) |

| MODEL | A | B | C | D | E | F | G | H | H1 | H2 | I | DN (S) | DN (D) | PACKAGING DIMENSIONS | | | GROSS WEIGHT kg | QTY / PALLET |
|----------------|-----|-----|-----|-----|-----|-----|-----|-----|-----|-----|----|--------|--------|----------------------|-----|-----|--------------------|-----------------|
| | | | | | | | | | | | | | | L/A | L/B | H | | |
| ESWIM 300 | 574 | 304 | 290 | 269 | 276 | 220 | 150 | 354 | 252 | 344 | 11 | 2" | 2" | 720 | 350 | 430 | 21,3 | 6 |
| ESWIM 300 SVRS | 574 | 304 | 290 | 269 | 276 | 220 | 150 | 354 | 252 | 344 | 11 | 2" | 2" | 720 | 350 | 430 | 21,3 | 6 |

DAB
PUMPS SELECTOR

On-line selection tool



DAB PUMPS LTD.
Unit 6 Gilberd Court
Newcomen Way, Severalls Park
CO4 9WN
Colchester
ordersuk@dwtgroup.com
Tel. +44 0333 777 5010



DAB PUMPS IBERICA S.L.
Calle Verano 18-20-22
28850 - Torrejón de Ardoz - Madrid
Spain
Info.spain@dwtgroup.com
Tel. +34 91 6569545



DAB PUMPS DE MÉXICO, S.A. DE C.V.
Av Amsterdam 101 Local 4
Col. Hipódromo Condesa,
Del. Cuauhtémoc CP 06170
Ciudad de México
Tel. +52 55 553 2621



DAB PUMPS BV
'tHofveld 6 C1
1702 Groot Bijgaarden - Belgium
info.belgium@dwtgroup.com
Tel. +32 2 4668353



DAB PUMPS HUNGARY KFT.
H-8800
Nagykanizsa, Buda Ernő u.5
Hungary
Tel. +36 93501700



DAB PUMPS SOUTH AFRICA (PTY) LTD
Twenty One industrial Estate,
16 Purlin Street, Unit B, Warehouse 4
Olifantsfontein -1667 - South Africa
info.sa@dwtgroup.com
Tel. +27 12 361 3997



DAB PUMPS B.V.
Statenlaan, 4
5223 LA, 's-Hertogenbosch
Nederland
info.nl@dabpumps.com
Tel. +31 416 387280



DAB PUMPS POLAND Sp. z o.o.
Ul. Cieslewskich 35K
03-017 Warszawa - Poland
sprzedaz@dabpumps.com.pl



DAB PUMPS (QINGDAO) CO. LTD.
No.10 Xindong Road
Jiulong Town,
Jiaozhou City
266319 Qingdao (Shandong) - China
sales.cn@dwtgroup.com
Tel. +86 400 186 8280



DAB PUMPS FRANCE SAS
Tour Ariane, Paris la Défense 9
5, Place de la Pyramide
92800 Puteaux - France
info.fr@dabpumps.com
Tel. +33 (0)6 79 63 05 46
+33 (0)7 89 01 53 35



DAB PUMPS INC.
3226 Benchmark Drive
Ladson, SC 29456 - USA
info.usa@dwtgroup.com
Tel. 1- 843-797-5002
Fax 1-843-797-3366



DAB PUMPS OCEANIA PTY LTD
426 South Gippsland Highway,
Dandenong South VIC 3175 - Australia
info.oceania@dwtgroup.com
Tel. +61 1300 378 677



DAB PUMPS GMBH
Am Nordpark 3
D - 41069 Mönchengladbach - Germany
info.germany@dwtgroup.com
Tel. +49 2161 47388-0
Fax +49 2161 47388-36



DAB PUMPS CANADA INC.
333 Bay Street, Suite 4600, Toronto,
Ontario, M5H 2S5, - Canada
orders@dwtgroup.ca
Tel. 1-833-322-7867



PT DAB PUMPS INDONESIA
Satrio Tower lantai 26
unit C-D, Jl. Prof. Dr. Satrio Kav. C4,
Kel. Kuningan Timur, Kec. Setiabudi, Kota Adm.
Jakarta Selatan, Prov. DKI Jakarta. - Indonesia
Tel. +62 2129222850