

EUROCOVER

SWIMMING POOL COVER PUMP

TECHNICAL DATA



Flow rate range: from 0,5 to 6 m³/h
Maximum head: up to 6,5 m.
Type of liquid pumped: clean, free of solids and abrasive substances, non-viscous, non-aggressive, non-crystallized, and chemically neutral
Minimum suction level: 3,5 mm
Liquid temperature range: from 0°C to +35°C (EN60335-2-41).
Maximum ambient temperature: +50°C
Motor protection rating: IP 68
Motor insulation class: F
Impeller material of construction: technopolymer
Supply voltage: 230V - 50 Hz single-phase.
 Comes with 10m cable and Schuko plug / 10m cord for placement on covers. Multi-rubber fitting with swing check valve.
Three-phase power supply: please contact our sales network
Installation: fixed or portable in upright position (max. angle 10°).
Passage for particle size: 5 mm.
Automatic start /stop: start 55mm - stop 35mm.
Special versions available on request: please contact our sales network

Eurocover is a pump designed for swimming pools, ponds and salt water for use in domestic, residential, institutional and commercial settings. Designed with a generous mounting base (for improved stability during operation) to remove water that builds up on pool covers. It includes a 10m power cable with plug, and a cord for placement. It comes with a multi-rubber fitting with a swing check valve. Ideal for medium-sized and large swimming pools.

PUMP DESIGN FEATURES

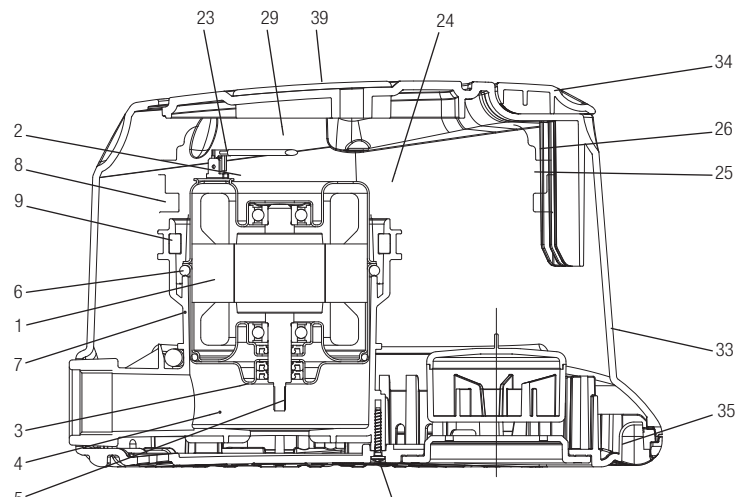
Technopolymer pump casing, triple seal with oil prechamber placed between rings. Built-in float for automatic operation. Rubber fitting with swing check valve. Technopolymer impeller

MOTOR DESIGN FEATURES

Submersible asynchronous motor with AISI 304 stainless steel stator, AISI 416 steel motor shaft.

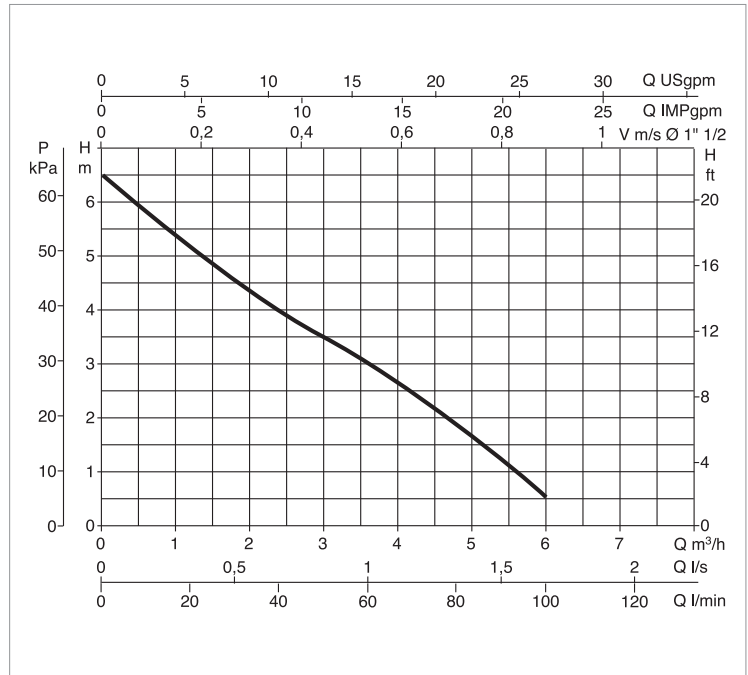
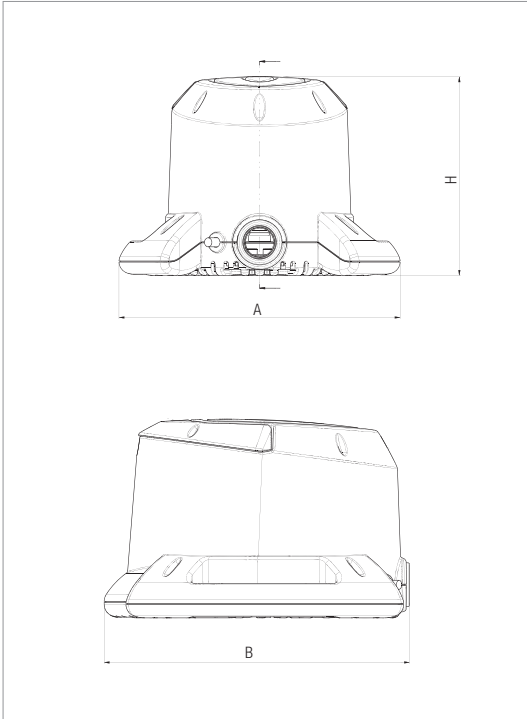
MATERIALS

No.	PARTS	MATERIALS	
1	MOTOR	SHAFT	AISI 416 STEEL
		JACKET	AISI 304 STEEL
3	WASHER	AISI 304 STEEL	
4	IMPELLER	TECHNOPOLYMER	
5	NUT	AISI 304 STEEL	
6	O-RING	NBR	
7	BASE	TECHNOPOLYMER	
8	PUMP CASING	TECHNOPOLYMER	
25	O-RING	NBR	
26	PUMP COVER	TECHNOPOLYMER	
28	FLOAT	TECHNOPOLYMER	
29	SPHERICAL CLOSURE	EPDM	
33	UPPER CASING	TECHNOPOLYMER	
34	HANDLE	TECHNOPOLYMER	
35	LOWER CASING	TECHNOPOLYMER	
36	SCREW	AISI 304	
37	FLOAT INSPECTION HATCH	TECHNOPOLYMER	



EUROCOVER - SWIMMING POOL COVER PUMP

Pumped liquid temperature range: 0°C to +35 °C Maximum ambient temperature: +40°C



The performance curves are based on kinematic viscosity values = 1 mm²/s and a density of 1000 kg/m³. Curve tolerance to ISO 9906.

MODEL	Q=m ³ /h	0	1,2	2,4	3,6	4,8	6
	Q=l/min	0	20	40	60	80	100
EUROCOVER	H (m)	6,5	5,1	4	3	1,9	0,5

MODEL	POWER SUPPLY 50 Hz	P1 MAX. kW	In A	P2 RATED		CAPACITOR	
				kW	HP	µF	Vc
EUROCOVER	230 V ~	0,25	1,1	0,22	0,3	8	-

MODEL	A	B	H	PACKAGING DIMENSIONS			WEIGHT kg
				L/A	L/B	H	
EUROCOVER	280,2	304,4	198,1	290	230	320	4,6

50250101 - 03/2026