



MAKING WATER EASY

ngpanel

ELECTRONIC CONTROL PANEL



BUILT-IN
CONNECTIVITY



NGPANEL

ELECTRONIC CONTROL PANEL



TECHNICAL DATA

Single-phase power: 1 x 230 VAC 50/60 Hz

Three-phase power: 3 x 400 VAC - 3 x 575 VAC 50/60 Hz

Maximum operating current:

1 x 29 A (1 x 230 VAC - 1 x 110 VAC)

1 x 12 A (3 x 400 VAC - 3 x 230 VAC)

2 x 12 A (1 x 230 VAC - 1 x 110 VAC)

2 x 12 A (3 x 400 VAC - 3 x 230 VAC)

2 x 20 A (1 x 230 VAC - 1 x 110 VAC)

1 x 8 A (3 x 575 VAC)

2 x 8 A (3 x 575 VAC)

IP protection: IP55 and NEMA 3R

Room temperature: -10°C +50°C

Starting capacitor: supplied as an additional kit

Maximum altitude: 1000 m. above sea level

Certification: CE, UL/CSA

Control panel for the control and protection of single-phase or three-phase pumps in residential, commercial and livestock environments, used for removing sewage and drainage water or filling (transferring) water into tanks.

The control panel protects the pumps and allows them to operate in automatic mode when connected to floats, level probes, or depth probes.

The graphic display allows for easy use thanks to the multilingual configuration wizard. It is possible to select the operating mode (filling or emptying) and the types of controls (floats, level probes or depth probes), or scroll through the alarm history.

The control panel features a self-extinguishing thermoplastic enclosure with IP55 and NEMA 3R protection class.

Various accessories may be combined with the control panel, such as controls (floats, level probes, depth probe) and capacitors for single-phase pumps, to be installed inside the panel itself.

Inside the control panel are: connection terminals for single-phase or three-phase power supply (L1, L2, L3); connection through single-phase or three-phase pump meters (U-V-W); connection terminals for thermal protection; three flashing light or siren alarm signalling output contacts.

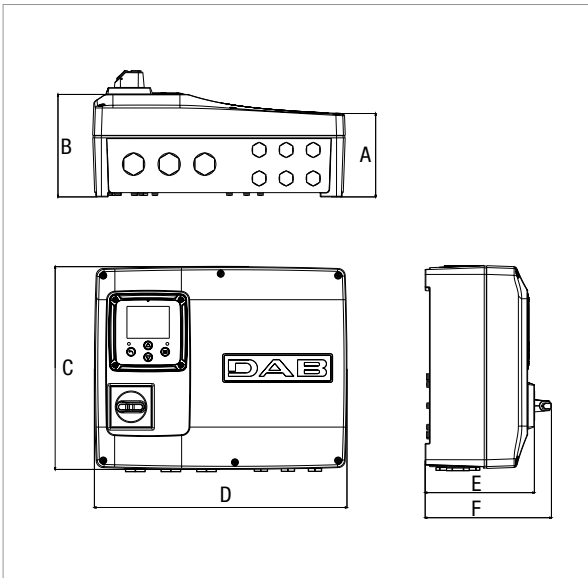
NgPanel features Bluetooth and Wi-Fi connectivity, and can be managed using the H₂D app.

When there is no Wi-Fi connection, it is possible to use the DAB Wi-Fi Modem Kit, connecting it directly to the dedicated USB port inside the control panel.

The alarms displayed include: pump overheating or overloading, water leaks into the oil chamber, breakdowns or malfunctioning, excessive number of restarts. There is the possibility of calculating the amount of water pumped out of the collection tank.

NGPANEL

ELECTRONIC CONTROL PANEL



MODEL	A	B	C	D	E	F	PACKING DIMENSIONS			WEIGHT Kg
							L/A	L/B	H	
NGPANEL 1 PUMP 29 A	120	145	285	320	155	180	435	243	313	3,7
NGPANEL 2 PUMPS 20 A	120	145	285	320	155	180	435	243	313	3,7
NGPANEL 2 PUMPS 12 A	120	145	285	320	155	180	435	243	313	3,7

MODEL	VOLTAGE 50/60 Hz	STARTING	PUMP MAX CURRENT A	PUMP MAX POWER (P2) kW
NGPANEL 1 PUMP 29 A	1 x 230 VAC - 1 x 110 VAC	DIRECT	29	4,5
	3 x 400 VAC - 3 x 230 VAC		12	5,5
	3 x 575 VAC		8	5,5
NGPANEL 2 PUMPS 20 A	1 x 230 VAC - 1 x 110 VAC	DIRECT	20	2,5
	3 x 400 VAC - 3 x 230 VAC		12	5,5
	3 x 575 VAC		8	5,5
NGPANEL 2 PUMPS 12 A	1 x 230 VAC - 1 x 110 VAC	DIRECT	12	1,5
	3 x 400 VAC - 3 x 230 VAC		12	5,5
	3 x 575 VAC		8	5,5

H₂D DIGITAL SERVICES

REMOTE CONTROL FOR ELECTRONIC RESIDENTIAL AND COMMERCIAL SYSTEMS

The D.Connect service offers simple and intuitive remote control of your installation, without the need of a server or specialist personnel.

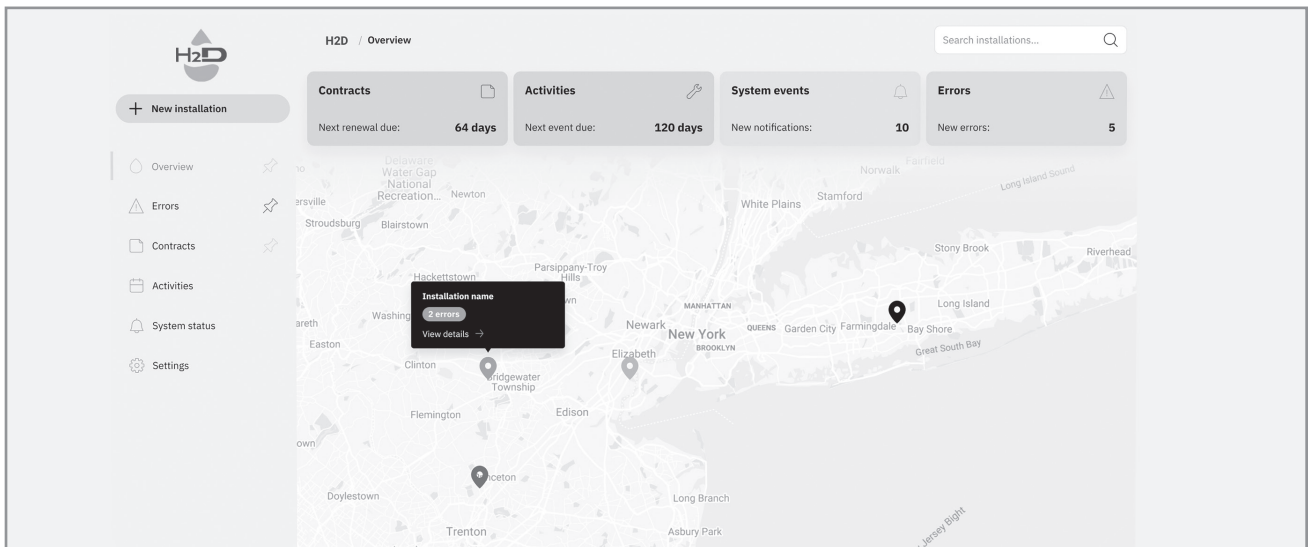
With D.Connect, you can remotely manage your installations as if you were right in front of them.

Thanks to the system operation charts, you will also be able to optimise operation. You will also receive prompt notifications of any system faults.

THE SERVICE ALLOWS TO:

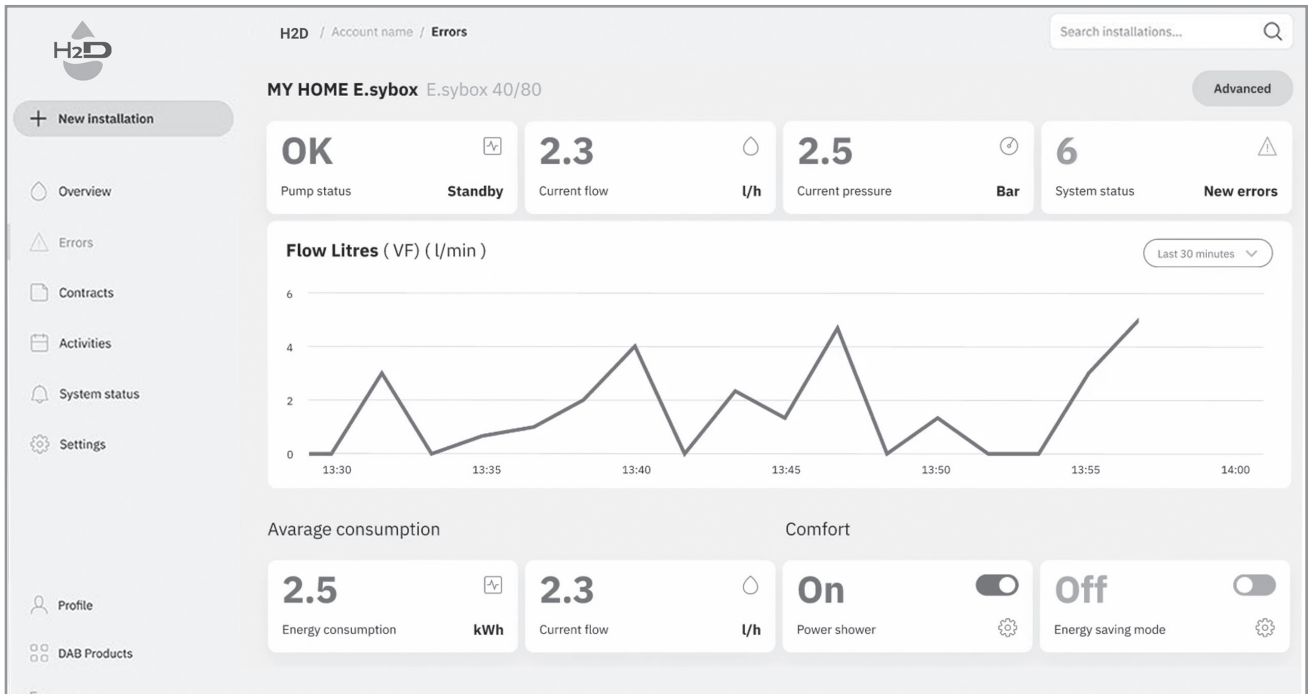
EASILY MONITOR YOUR SYSTEMS

The installations with green status are OK, while the orange ones need attention, and the red ones are experiencing problems.



TAKE ANY NECESSARY ACTIONS AS IF YOU WERE RIGHT IN THE PUMP ROOM

Using the internet site or the APPs, you will be able to easily and quickly control your systems.



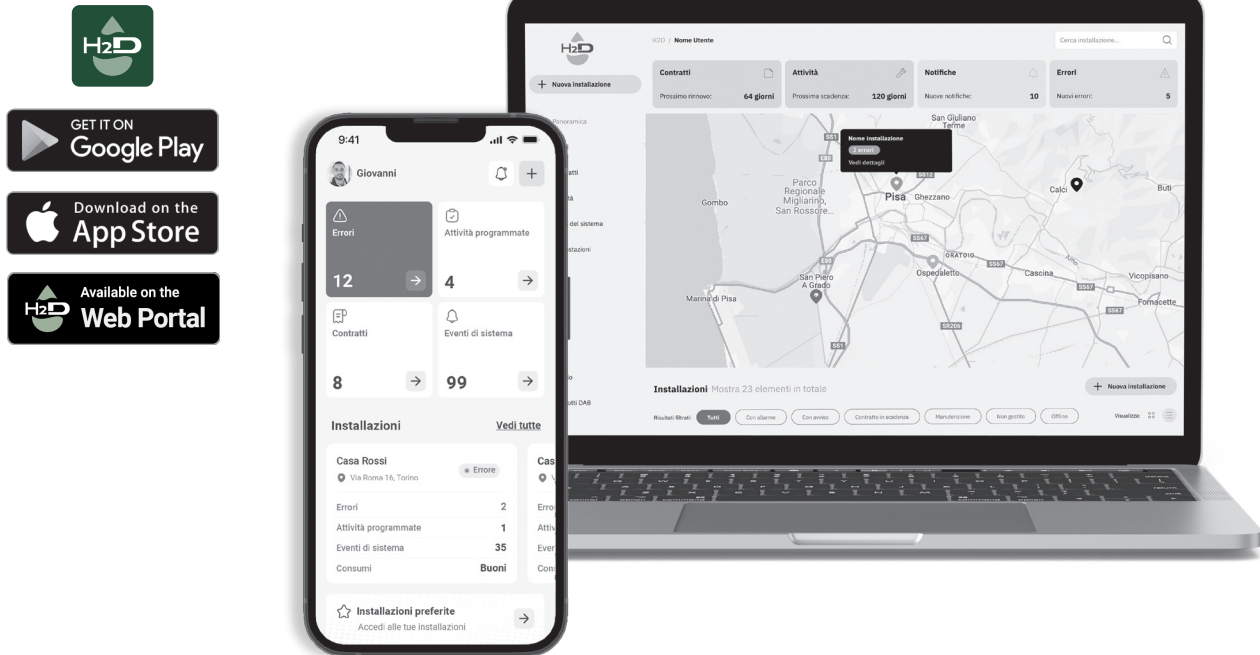
REMOTE ALARMS

In case of alarm, the H₂D service will promptly send you a notification, so that you can check what is happening and organise a visit to the system before the issue becomes an emergency for your customer.

H₂D DIGITAL SERVICES

REMOTE CONTROL FOR ELECTRONIC RESIDENTIAL AND COMMERCIAL SYSTEMS

In order to use the H₂D service, registration and connected products are required.
Connect to the website: <https://h2d.com> using Internet Browsers such as Microsoft Edge or Google Chrome.
The Android and iOS H₂D APPS can be downloaded from the relevant Stores:



WHAT PRODUCTS CAN YOU MANAGE USING THE D.CONNECT SERVICE?

NgDrive, NgPanel, MCE/P, MCE/C, ADAC, Active driver Plus, Ebox, Evoplus, Eskybox, Eskybox mini, Eskybox Diver, Dtron 3, Eskybox Max.

For more information visit: www.internetofpumps.com



Simple and intuitive digital service for remote monitoring of DAB products: it allows you to find all the information you need, supervise the operation of the systems, or change the setting parameters.

APP DAB LIVE!

Available for Eskybox mini³ **live!**



It makes easier for end users to supervise domestic systems in order to optimize consumption and maximize comfort, also thanks to Power Shower and Sleep Mode functions.

H₂D DIGITAL SERVICES

DATA RETENTION 1 MONTH MONITORING AND CONTROL

BASIC PACKAGE

1 YEAR SERVICE

DATA RETENTION 12 MONTH MONITORING AND CONTROL

PLUS 12 PACKAGE

1 YEAR SERVICE

PLUS 36 PACKAGE

3 YEARS SERVICE

2 trial months included Possibility to upgrade to a higher package at any time.

DATA PACKAGE

12 MONTHS SIM DATA TRAFFIC RENEWAL SERVICE

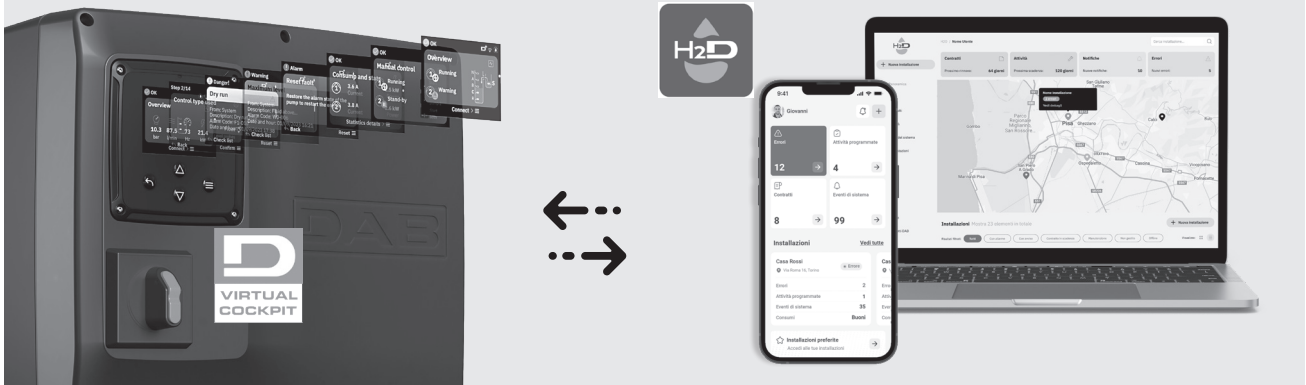
USER INTERFACE AND PROTOCOLS

NGPANEL

DAB SMART SYSTEM

Used in conjunction with **DAB Virtual Cockpit** and **H₂D**, it becomes a very smart system, with an intuitive and effective user experience.






Setting up the system is extremely quick thanks to the wizard: it takes 5 steps and 5 minutes to completely set up the plants.





USER INTERFACE

Employing a consistent vertical scroll logic, the homepage also provides quick access to menus for the individual sections. On a single clear, user-friendly screen, **DAB Virtual Cockpit** summarizes all the key information to be monitored in order for the system controlled with **NgPanel** to work at its best.

The buttons are cross-arranged for easy interaction and the menu navigation symbols are intuitive.

SYSTEM OPERATION STATUS	CONNECTIONS	 Press to browse the menu. Press to increment the selected parameter. Press and hold to increase the increment speed.
SINGLE PUMP STATUS	TANK STATUS	 Press to browse the menu. Press to decrement the selected parameter. Press and hold to increase the decrement speed.
		 Press to confirm and go to the next screen. Press to access the selected menu page.
		 Press to cancel and return to the previous screen. Press to leave the current menu page.
		CONNECTION TO THE H ₂ D APP



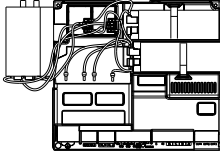
NETWORK PROTOCOLS

	<p>Bluetooth: short-range wireless data transmission standard (point-to-point). You can connect devices such as mobile phones, personal computers, tablets. Connection via smartphone, directly to NgPanel in case of configuration from smartphone via H₂D app.</p>
	<p>WI-FI: wireless network access for devices such as smartphones, tablets or computers. Direct connection to NgPanel via H₂D app, remotely with IP address.</p>

ACCESSORIES

NGPANEL

	DESCRIPTION	
	FLOAT KEY	5 METERS
		10 METERS
		15 METERS
		20 METERS
	BULB-FLOAT	10 METERS
		20 METERS
	DEPTH SENSOR 0-5 MT- 20 MT. CABLE FOR DRAINAGE WATER	
	LEVEL PROBE FOR DRAINAGE WATER	

	DESCRIPTION
	FLASHING 230V 5W 50/60 HZ Equipped with a 5W incandescent bulb (The alarm outputs are free contacts and must be powered.)
	ACOUSTIC ALARM -- 230 V - 50 HZ (The alarm outputs are free contacts and must be powered.)
	GRINDER CAPACITORS KIT ONLY for 60Hz single-phase Grinder FX pumps.



It is also possible to find further information and technical details from DNA by connecting to the address: dna.dabpumps.com



DNA[®]

PUMPS SELECTOR



On-line product selection



DAB PUMPS LTD.
Unit 6 Gilberd Court
Newcomen Way, Severalls Park
CO4 9WN
Colchester
ordersuk@dwtgroup.com
Tel. +44 0333 777 5010



DAB PUMPS IBERICA S.L.
Calle Verano 18-20-22
28850 - Torrejón de Ardoz - Madrid
Spain
Info.spain@dwtgroup.com
Tel. +34 91 6569545



DAB PUMPS DE MÉXICO, S.A. DE C.V.
Av Amsterdam 101 Local 4
Col. Hipódromo Condesa,
Del. Cuauhtémoc CP 06170
Ciudad de México
Tel. +52 55 553 2621



DAB PUMPS BV
'tHofveld 6 C1
1702 Groot Bijgaarden - Belgium
info.belgium@dwtgroup.com
Tel. +32 2 4668353



DAB PUMPS HUNGARY KFT.
H-8800
Nagykanizsa, Buda Ernő u.5
Hungary
Tel. +36 93501700



DAB PUMPS SOUTH AFRICA (PTY) LTD
Twenty One industrial Estate,
16 Purlin Street, Unit B, Warehouse 4
Olifantsfontein -1667 - South Africa
info.sa@dwtgroup.com
Tel. +27 12 361 3997



DAB PUMPS B.V.
Statenlaan, 4
5223 LA, 's-Hertogenbosch
Nederland
info.nl@dabpumps.com
Tel. +31 416 387280



DAB PUMPS POLAND Sp. z o.o.
Ul. Cieslewskich 35K
03-017 Warszawa - Poland
sprzedaz@dabpumps.com.pl



DAB PUMPS (QINGDAO) CO. LTD.
No.10 Xindong Road
Jiulong Town,
Jiaozhou City
266319 Qingdao (Shandong) - China
sales.cn@dwtgroup.com
Tel. +86 400 186 8280



DAB PUMPS FRANCE SAS
Tour Ariane, Paris la Défense 9
5, Place de la Pyramide
92800 Puteaux - France
info.fr@dabpumps.com
Tel. +33 (0)6 79 63 05 46
+33 (0)7 89 01 53 35



DAB PUMPS INC.
3226 Benchmark Drive
Ladson, SC 29456 - USA
info.usa@dwtgroup.com
Tel. 1-843-797-5002
Fax 1-843-797-3366



DAB PUMPS OCEANIA PTY LTD
426 South Gippsland Highway,
Dandenong South VIC 3175 - Australia
info.oceania@dwtgroup.com
Tel. +61 1300 378 677



DAB PUMPS GMBH
Am Nordpark 3
D - 41069 Mönchengladbach - Germany
info.germany@dwtgroup.com
Tel. +49 2161 47388-0
Fax +49 2161 47388-36



DAB PUMPS CANADA INC.
333 Bay Street, Suite 4600, Toronto,
Ontario, M5H 2S5, - Canada
orders@dwtgroup.ca
Tel. 1-833-322-7867



PT DAB PUMPS INDONESIA
Satrio Tower lantai 26
unit C-D, Jl. Prof. Dr. Satrio Kav. C4,
Kel. Kuningan Timur, Kec. Setiabudi, Kota Adm.
Jakarta Selatan, Prov. DKI Jakarta. - Indonesia
Tel. +62 2129222850